



CPS-12V-60W



Available Models¹

5 VDC Output

CPS-5V-25W

12 VDC Output²

- CPS-12V-12W
- CPS-12V-18W
- CPS-12V-24W
- CPS-12V-36W
- CPS-12V-48W

24 VDC Output²

- CPS-24V-12W
- CPS-24V-18W
- CPS-24V-24W
- CPS-24V-36W
- CPS-24V-48W

Part Number Breakdown

Example: CPS-12V-12W(White)

Series	Output Voltage	Output Power	Finish
CPS [Constant voltage Power Supply]	5V [5 VDC]	25W [25W]	blank [black]
	12V [12 VDC] or 24V [24 VDC]	12W [12W]	blank [black] or (white) [white]
		18W [18W]	
		24W [24W]	
		36W [36W]	
		48W [48W]	

Overview

The DiodeDrive power adapter provides power for DC systems. It is a Class II device with an enclosed plastic case for protection against electrical shock. It has a 2-prong 1-15P 120 VAC input and a 5.5-mm barrel connector.

Features

- 1-15P plug for 120 VAC input
- 5.5mm barrel connector for DC output
- UL Class II power supply

Product Details

- 120 VAC input: 1-5P plug
- DC output: 5.5mm barrel
- ~4' wire length

Certifications and Compliances

- UL Listed - UL 1310
- FCC compliant

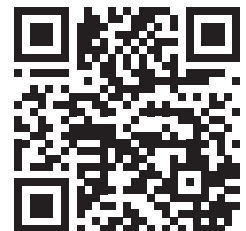


Optional Accessories

- Female DC barrel connector (CPS-F2ST)

Warranty

- 3-year warranty





CPS Series

Wall-Mounted Power Supply Specifications

5 VDC Output

Model	CPS-5V-25W
OUTPUT	
Output Voltage	5 VDC
Output Power	25W
Output Current (max)	5000mA
INPUT	
Input Voltage	120 VAC
Input Wattage (max)	96W
Input Current (max)	1200mA

12 and 24 VDC Output

Model	CPS-x-12W		CPS-x-18W		CPS-x-24W		CPS-x-36W		CPS-x-48W	
OUTPUT										
Output Power	12W		18W		24W		36W		48W	
Output Voltage	12 VDC	24 VDC	12 VDC	24 VDC	12 VDC	24 VDC	12 VDC	24 VDC	12 VDC	24 VDC
Output Current (max)	1A	0.5A	0.75A	1.5A	2A	1A	3A	1.5A	4A	2A
INPUT										
Input Voltage	120 VAC									
Input Wattage (max)	48W		48W		96W		144W		144W	
Input Current (max)	400mA		400mA		800mA		1200mA		1200mA	

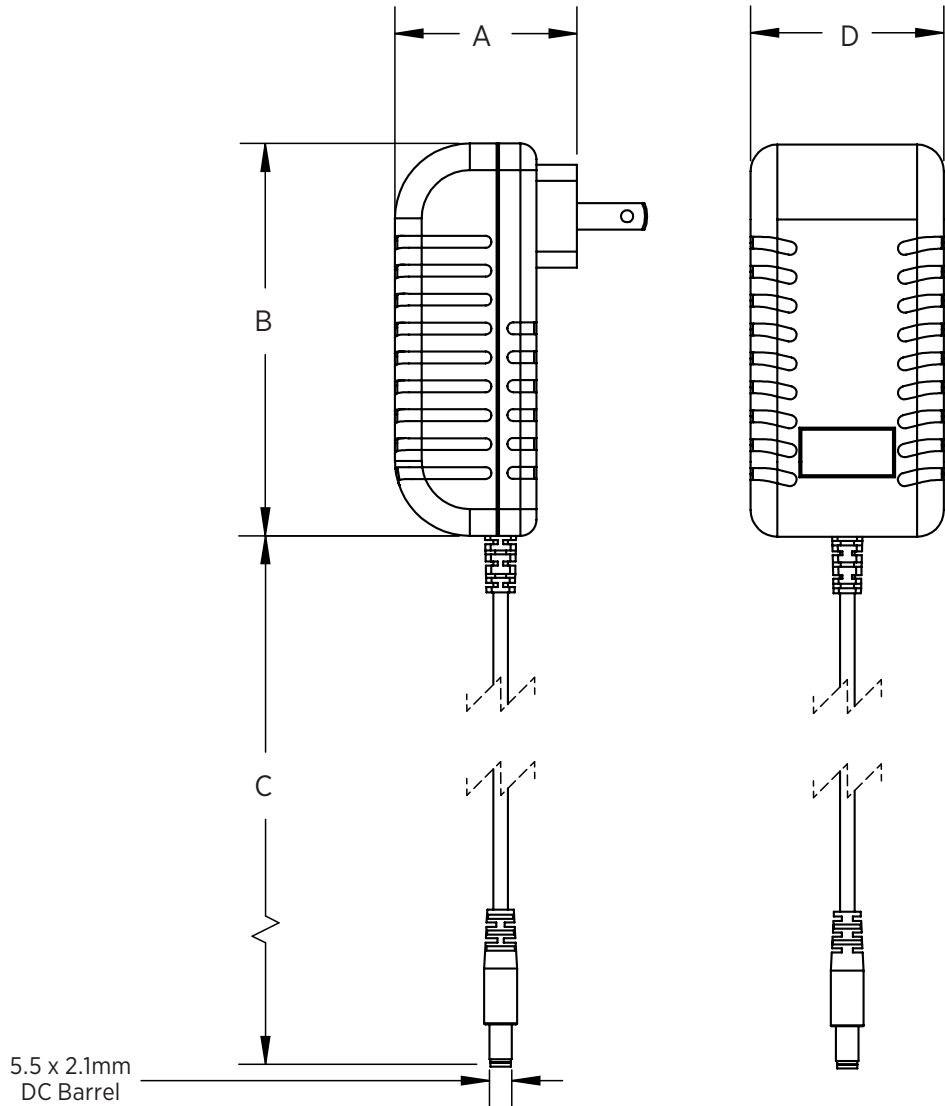
SERIES SPECIFICATIONS	
Input Connection Type	1-15P Plug
Output Connection Type	5.5 mm x 2.1 mm DC Barrel
Input Frequency Range	50-60Hz
Dimming Control	Non-Dimmable
ENVIRONMENTAL	
IP Rating	IP20
Environmental Rating	Non-weatherproof, Suitable for Dry Locations
Ambient Operating Temperature	0 to 40°C (32 to 104°F)



CPS Series

Wall-Mounted Power Supply Specifications

Dimensional Drawing



CPS-	x-12W	x-18W	x-24/25W	x-36W	x-48W
A	1.5in. (38mm)	1.6in. (40mm)	1.7in. (43mm)	1.7in. (43mm)	1.5in. (38mm)
B	2.8in. (72mm)	2.9in. (75mm)	3.7in. (93mm)	3.7in. (93mm)	3.4in. (86mm)
C	48.5in. (1.23m)	48.5in. (1.23m)	48.5in. (1.23m)	48.5in. (1.23m)	47.5in. (1.2m)
D	1.7in. (43mm)	1.6in. (41mm)	1.8in. (46mm)	1.8in. (46mm)	1.9in. (48mm)

