



# CVPSD Series

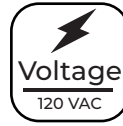
Constant Voltage Power Supply Specifications

Project \_\_\_\_\_

Date \_\_\_\_\_ Type \_\_\_\_\_



CVPSD-120WM-24V-JB



### Available Models<sup>1</sup>

12 VDC Output

24 VDC Output

CVPSD-120WM-12V-JB

CVPSD-120WM-24V-JB

CVPSD-200WM-12V-JB

CVPSD-200WM-24V-JB

### Part Number Breakdown

Example: CVPSD-120WM-24V-JB

Series	Output Power	Driver Case	Output Voltage	Included Accessories
<b>CVPSD</b> [Constant Voltage Power Supply, Dimmable]	<b>120W</b> [120W]	<b>M</b> [Metal]	<b>12V</b> [12 VDC] or <b>24V</b> [24 VDC]	<b>JB</b> [Junction box]
	<b>200W</b> [200W]			

### Overview

The DiodeDrive dimmable constant-voltage power supply effectively powers a range of electronics. It is compatible with TRIAC (MLV+ELV) dimmers and is housed in a durable, vented steel enclosure, allowing the power supply to run cool in indoor and outdoor applications. The enclosure has knockouts for easy wiring of high-voltage AC separate from the low-voltage DC connections. The compact profile makes it ideal for residential and commercial use. The optional 6ft power cord has a grounded 5-15 plug.

### Features

- Includes protective, vented steel wiring enclosure
- IP66 waterproof driver | indoor or outdoor use
- Aluminum driver housing for heat dissipation
- 12 or 24 VDC constant voltage output
- TRIAC (ELV+MLV) dimmable

### Product Details

- Single output or dual output (CVPSD-200WM-12V-JB)
- Black powder-coated steel wiring enclosure
- Multiple 1/2" trade-size conduit knockouts
- IP66 waterproof aluminum driver housing
- Enclosure tabs for surface mounting
- 120 VAC input

### Certifications and Compliances

- ETL Listed - UL 1012
- FCC Part 15 B compliant



### Applications

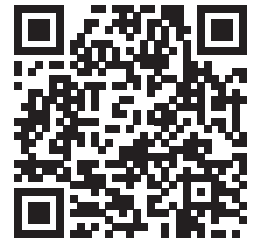
- Electronic Instruments or Equipment
- Home Interiors
- Industrial Control Systems
- Mechanical and Electrical Equipment
- Security Systems
- Sign Lighting
- Stage & Theaters
- Trade Shows
- Video Wall Displays

### Optional Accessories

- 6 ft, 5-15P power cord (POWERCORD)

### Warranty

- 2-year warranty



T 866.201.2238  
 F 314.972.6202  
 www.diodedrive.com  
 email: commercialsales@diodedrive.com

<sup>1</sup>Contact customer service if interested in other options.



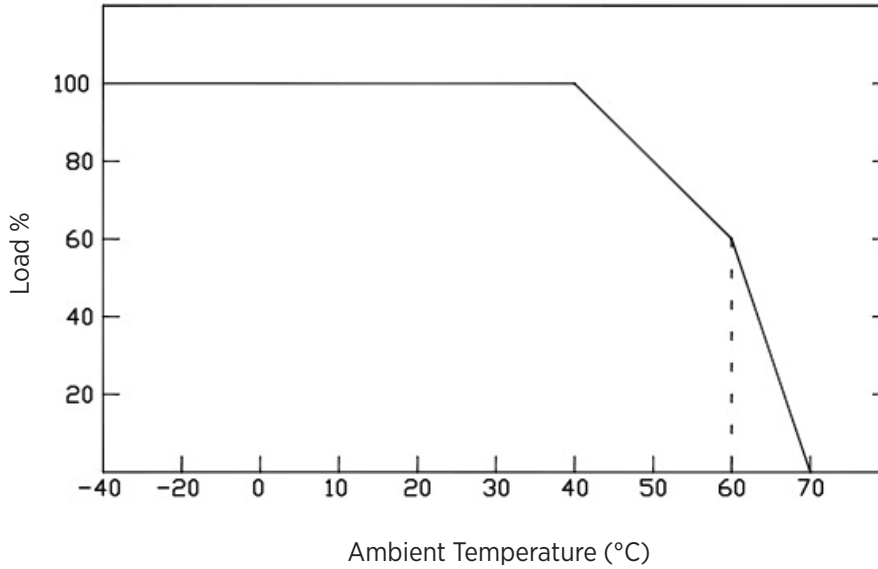
# CVPSD Series

## Constant Voltage Power Supply Specifications

SPECIFICATIONS		CVPSD-120WM-12V-JB	CVPSD-120WM-24V-JB	CVPSD-200WM-12V-JB	CVPSD-200WM-24V-JB
<b>INPUT</b>					
Input Voltage	100-130 VAC				
Input Frequency	50/60Hz				
Input Current	2A	3.2A	2A	3.2A	
Efficiency (TYP)	81%	83%	83%	85%	
Leakage Current	<0.50mA/120 VAC				
Input Connection Type	Pigtail				
Power Factor	0.65 (full load)				
<b>OUTPUT</b>					
Output Power	120W	120W	200W (100W x2)	200W	
Output Voltage (±0.5V)	12 VDC	24 VDC	12 VDC	24 VDC	
Output Current	10000mA	5000mA	16700mA (8.3A x2)	8300mA	
Output Channels	1	1	2	1	
<b>DIMMING</b>					
Dimming Control	TRIAC (ELV), TRIAC (MLV), TRIAC (MLV+ELV)				
<b>PROTECTIONS</b>					
Protections	Short Circuit	Short Circuit Hiccup mode, recover automatically after fault condition is removed			
	Overload	≤120%			
	Over Current	≤1.2*I out			
	Over Temp.	100°C±10°C, Shut down o/p voltage, automatic recovery after temperature drops			
<b>ENVIRONMENTAL</b>					
IP Rating	IP66				
Environmental Rating	Waterproof				
Operating Humidity	20 to 95% RH, non-condensing				
Storage Temp. Humidity	-40 to 80°C, 10 to 95% RH				
Ambient Operating Temperature	-40 to 60°C (-40 to 140°F)				
Temperature Coefficient	±0.03%/°C (0 to 50°C)				
Vibration	10-500Hz, 5G 12min./1 cycle, period for 72min. each along X,Y,Z axes				
<b>MECHANICAL HOUSING</b>					
Wire Gauge	18AWG				
Housing Color	Black				
Case Material	Steel Junction Box, Aluminum Housing				
<b>SAFETY &amp; EMC</b>					
Safety Standards	UL 1012				
Withstand Voltage	I/P-O/P: 1500 VAC				
Isolation Resistance	I/P-O/P: 100MΩ/500 VDC/25°C/70% RH				
EMC Emission	FCC Part 15 B				



### Derating Curve



To extend driver life, please refer to the Derating Curve and derate according to the temperature.

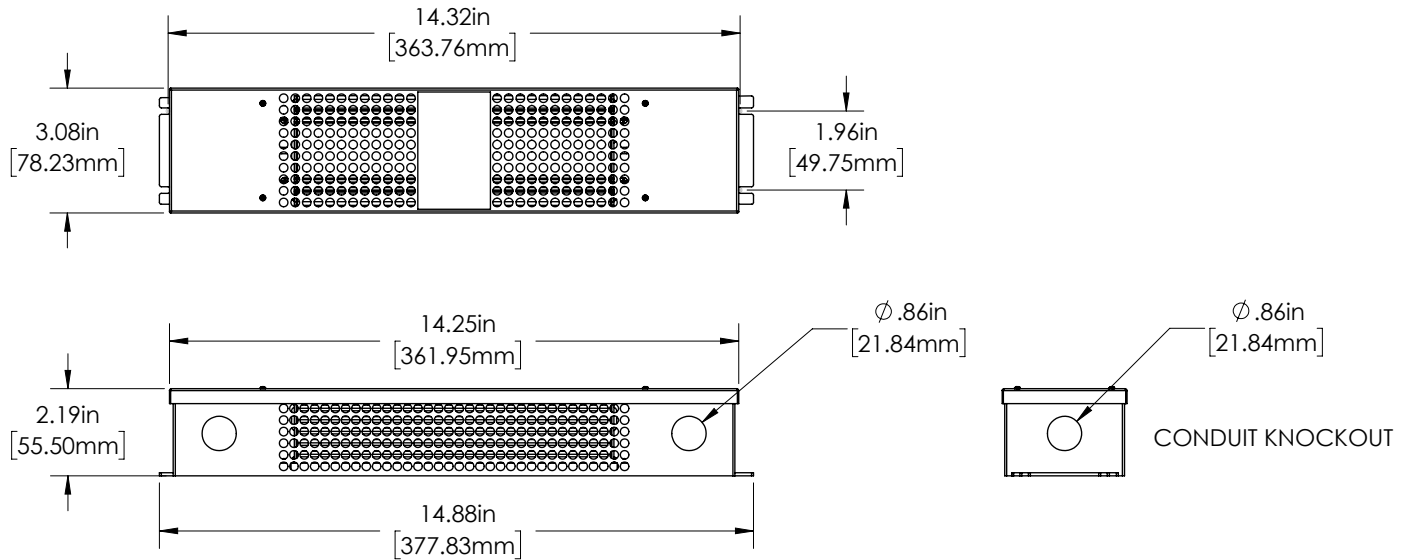


# CVPSD Series

Constant Voltage Power Supply Specifications

## Dimensional Drawings

CVPSD-120WM-x-JB



CVPSD-200WM-x-JB

