

DVF Series

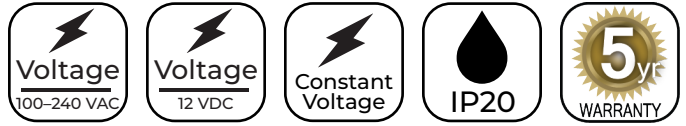
Metal Enclosed Constant Voltage Driver Specifications

Project _____

Date _____ Type _____



DVF-350W-12V-MB



Available Models¹

- DVF-350W-12V-MB
- DVF-350W-12V-MB(POWERCORD)

Part Number Breakdown

Example: DVF-350W-12V-MB(POWERCORD)

Series	Output Wattage	Output Voltage	Hardware	Optional Accessory
DVF [DiodeDrive, Constant Voltage, Metal Enclosed]	350W [350W]	12V [12 VDC]	MB [Mounting Brackets]	blank [none] or (POWERCORD) [Grounded Power Cord]

Overview

The DiodeDrive 12V constant voltage power supply is an enclosed, single-output power supply with a low-profile design. It features EMI filtration and integrated short-circuit, overload, overtemperature, and overvoltage protection. This 350W model uses an internal cooling fan to prevent overheating. Easily connect LED lighting systems with the multi-tap screw terminals. The versatile power supply has a switch to set either 115 or 230 VAC input before installation. The included mounting kit has 4x steel L-brackets and 4x steel M4 screws for easy installation. The input can be hardwired or connected using the optional power cord with a 5-15P plug.

Features

- Short-circuit, overload, and overvoltage protection
- Switch for 115V or 230V input
- Built-in EMI filtration
- Forced air cooling

Product Details

- Screw terminal block connections
- Durable metal housing
- Power ON LED indicator
- Non-dimmable
- 120-240 VAC input

Certifications and Compliances

- UL Recognized - UL 8750 (FKSZ)
- CE and FCC compliant

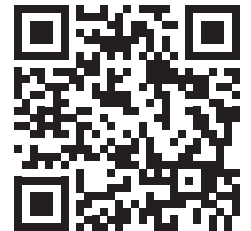


Applications

- Electronic Instruments
- Home Interiors
- Industrial Control Systems
- Mechanical Equipment
- Security Systems
- Sign Lighting
- Stage & Theaters
- Trade Shows
- Video Wall Displays

Warranty

- 5-year warranty



¹Contact customer service if interested in other options.



DVF Series

Metal Enclosed Constant Voltage Driver Specifications

Specifications

Model		DVF-350W-12V-MB
OUTPUT		
Output Power		350W
Output Voltage ($\pm 1V$)		12 VDC
Output Current (max.)		29A
Efficiency (25°C, 230 VAC)		$\geq 84\%$
Line Regulation		$\pm 0.5\%$
Load Regulation		$\pm 1\%$
Voltage Regulation Accuracy		$\pm 1\%$
Output Ripple and Noise (p-p)		$\leq 150mV$
Dynamic Response	Overshoot	5 25-50% and 50-75% load dynamics, half-wave period of 4mS, current change slope of 0.1A/ μS
	Recovery Time (μS)	400
Power-on/off Overshoot Amplitude		$\leq \pm 10\%$
Power-on Output Delay (ss)		≤ 3
INPUT		
Input Voltage		100-240 VAC Models above 100W output are 100-120VAC/200-240VAC switch selectable
Input Frequency		50/60Hz
Input Current (max)	100 VAC @ full load	7.5A
Inrush Current	230 VAC, (25°C cold start)	70A
Standby Power Consumption		$\leq 5W$
PROTECTIONS		
Overload	35-45A	
	Hiccup mode, automatically resets after fault condition is eliminated	
Overvoltage	13.5-16.5V	
	Voltage limiting, automatically resumes after restart	
Output Short Circuit	Power supply protection after output terminal short circuit, automatically resumes after short circuit removed	





DVF Series

Metal Enclosed Constant Voltage Driver Specifications

Specifications

ENVIRONMENTAL		
Environmental Rating	Suitable for Dry Locations, Non-weatherproof	
Ambient Operating Temperature	-30 to 70°C (-22 to 158°F)	
Storage Temperature	-30 to 80°C (-22 to 176°F)	
Working Humidity	20-95% RH, non-condensing	
Altitude	0-5000m	
	Ambient temperature range decreases by 0.6°C for every 100m above 2000m	
Atmospheric Pressure	70-106Kpa	
Cooling Method	Forced Air	
SAFETY and EMC		
Dielectric Strength	I/P-O/P	3000VAC/10mA/1min
	I/P-GND	1800VAC/10mA/1min
	O/P-GND	500VAC/10mA/1min
Insulation Resistance	I/P-O/P	≥10MΩ@ 500VDC (Under normal atmospheric pressure, relative humidity of 90%)
	I/P-GND	
	O/P-GND	
Standards	UL8750, CE	
EMC Emission	Compliance to FCC Part 15	
MECHANICAL		
MTBF	≥100000 hours (25°C, rated input, full load) [MIL-HDBK-217F]	
Connection Type	Screw Terminal	
Housing Material	Metal	

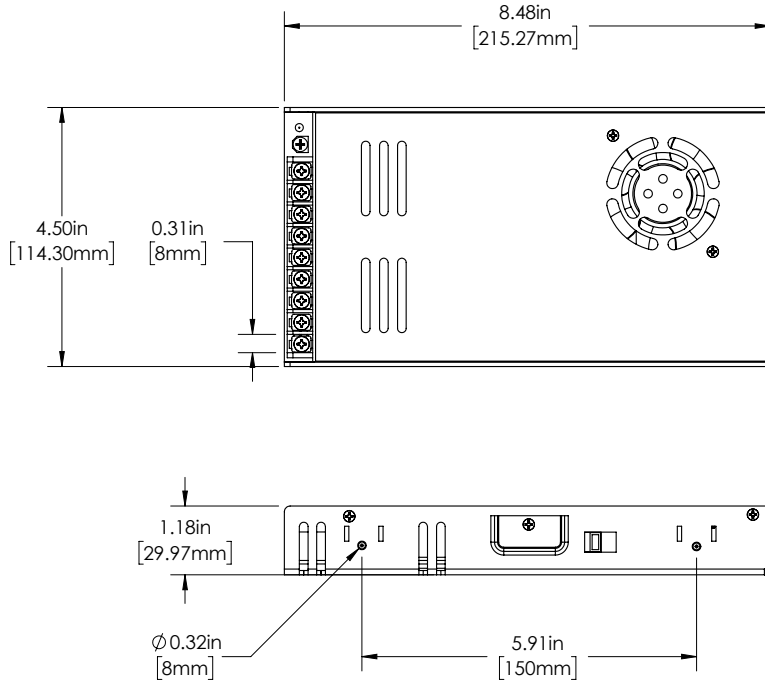


DVF Series

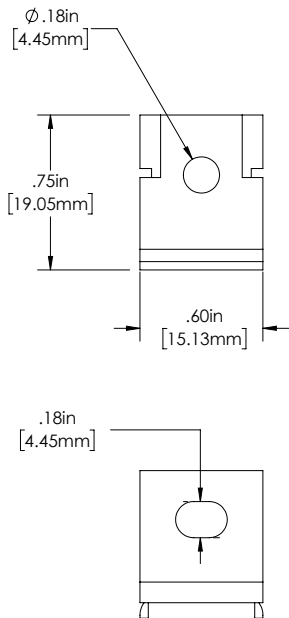
Metal Enclosed Constant Voltage Driver Specifications

Dimensional Drawings

DVF-350W-12V-MB



Mounting Brackets



Power Cord

