



DVF-200W-12V



### Available Models<sup>1</sup>

- DVF-100W-12V
- DVF-100W-12V(POWERCORD)
- DVF-200W-12V
- DVF-200W-12V(POWERCORD)

### Part Number Breakdown

Example: DVF-100W-12V(POWERCORD)

Series	Output Wattage	Output Voltage	Optional Accessory
<b>DVF</b> [DiodeDrive, Constant Voltage, Metal Enclosed]	<b>100W</b> [100W]	<b>12V</b> [12 VDC]	<b>blank</b> [none] or <b>(POWERCORD)</b> [6ft grounded power cord]
	<b>200W</b> [200W]		

### Overview

The DiodeDrive 12V constant voltage power supply has a single output and a low-profile enclosed design. It features EMI filtration and integrated short-circuit, overload, and overvoltage protection. They use a metallic mesh frame for free air convection cooling to prevent overheating. Easily connect LED lighting systems with the multi-tap screw terminals. These versatile power supplies operate within a 100-240 VAC input range. The 200W model has a switch to set either 115 or 230 VAC input before installation. The input can be hardwired or connected using an optional grounded power cord with a 5-15P plug.

### Features

- Short-circuit, overload, and overvoltage protection
- Mesh frame allows free air convection cooling
- High efficiency, high reliability
- Built-in EMI filtration

### Product Details

- Screw terminal block connections
- Power ON LED indicator
- Durable metal housing
- Non-dimmable
- 100-240 VAC

### Certifications and Compliances

- UL Recognized - UL 8750 (FKSZ)
- CE and FCC compliant

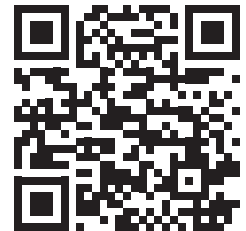


### Applications

- Electronic Instruments
- Home Interiors
- Industrial Control Systems
- Mechanical Equipment
- Security Systems
- Sign Lighting
- Stage & Theaters
- Trade Shows
- Video Wall Displays

### Warranty

- 5-year warranty





# DVF Series

## Metal Enclosed Constant Voltage Driver Specifications

### Specifications

Model		DVF-100W-12V	DVF-200W-12V
<b>OUTPUT</b>			
Output Power		100W	200W
Output Voltage ( $\pm 1V$ )		12 VDC	12 VDC
Output Current (max.)		8.3A	16.7A
Efficiency (25°C, 230 VAC)		$\geq 86\%$	$\geq 86\%$
Line Regulation		$\pm 0.5\%$	$\pm 0.5\%$
Load Regulation		$\pm 0.5\%$	$\pm 1\%$
Voltage Regulation Accuracy		$\pm 1\%$	$\pm 1\%$
Output Ripple and Noise (p-p)		$\leq 120mV$	$\leq 150mV$
Dynamic Response	Overshoot	5	5
	25-50% and 50-75% load dynamics, half-wave period of 4mS, current change slope of 0.1A/ $\mu$ S		
Recovery Time ( $\mu$ S)		400	400
Power-on/off Overshoot Amplitude		$\leq \pm 10\%$	$\leq \pm 10\%$
Power-on Output Delay (ss)		$\leq 3$	$\leq 3$
<b>INPUT</b>			
Input Voltage		100-240 VAC (200W model is 100-120VAC/200-240VAC switch selectable)	
Input Frequency		50/60Hz	
Input Current (max)	100 VAC @ full load	2A	3.4A
Inrush Current	230 VAC, (25°C cold start)	50A	70A
Standby Power Consumption		$\leq 0.5W$	$\leq 4W$
<b>PROTECTIONS</b>			
Overload	10-12A		19-24A
	Hiccup mode, automatically resets after fault condition is eliminated		
Overvoltage	15-18V		13.5-16.5V
	Voltage limiting, automatically resumes after restart		
Output Short Circuit		Power supply protection after output terminal short circuit, automatically resumes after short circuit removed	





# DVF Series

## Metal Enclosed Constant Voltage Driver Specifications

### Specifications

ENVIRONMENTAL		
Storage Temperature		-30 to 80°C (-22 to 176°F)
Ambient Operating Temperature		-30 to 70°C (-22 to 158°F)
Working Humidity		20-95% RH, non-condensing
Environmental Rating		Suitable for Dry Locations, Non-weatherproof
Altitude		0-5000m
		Ambient temperature range decreases by 0.6°C for every 100m above 2000m
Atmospheric Pressure		70-106Kpa
Cooling Method		Natural Convection
SAFETY and EMC		
Dielectric Strength	I/P-O/P	3000VAC/10mA/1min
	I/P-GND	1800VAC/10mA/1min
	O/P-GND	500VAC/10mA/1min
Insulation Resistance	I/P-O/P	≥10MΩ@ 500VDC (Under normal atmospheric pressure, relative humidity of 90%)
	I/P-GND	
	O/P-GND	
Standards		UL8750, CE
EMC Emission		Compliance to FCC Part 15
MECHANICAL		
MTBF		≥100000 hours (25°C, rated input, full load) [MIL-HDBK-217F]
Connection Type		Screw Terminal
Housing Material		Metal

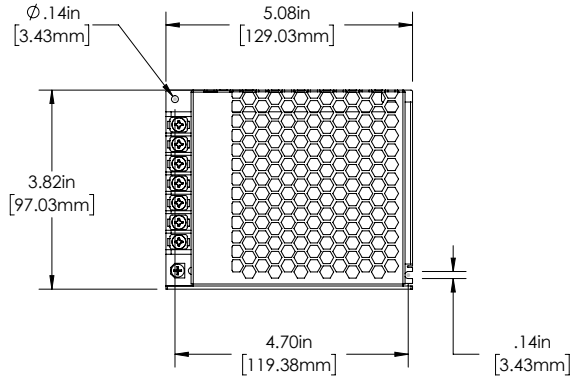


# DVF Series

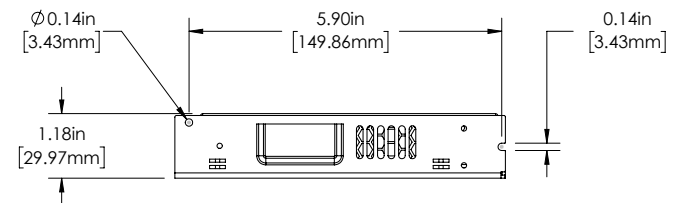
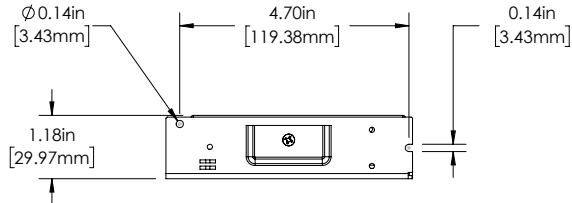
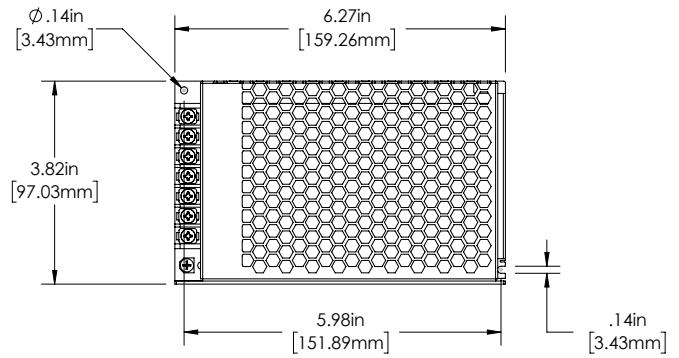
## Metal Enclosed Constant Voltage Driver Specifications

### Dimensional Drawings

DVF-100W-12V



DVF-200W-12V



### POWERCORD

