

Important: Read all instructions prior to installation.

5-way Universal Dimmable Power Supply



Safety and Notes

- This product should be installed and serviced by a certified electrician per applicable national, state, and local building and electrical codes.
- To reduce the risk of electric shock, ensure that the main power source and circuit breakers are switched off before performing any installation or wiring procedures.
- Ensure all mounts are securely attached and will support the weight of the power supply. Failure to properly support may result in damage or injury, for which the manufacturer does not assume responsibility.
- It is recommended that over-voltage and surge protection devices be installed in lamps' power supply circuits to ensure safety during use.
- When adjusting the power supply's output voltage, please ensure that the total output power does not exceed the rated maximum power, as this will void the warranty.
- Do not install in completely sealed enclosures. Enclosures must be ventilated with holes to allow air passage.
- The driver must be mounted with a 5" gap of free-flow air space for proper ventilation. It should never be mounted above heat-radiating objects.
- Suitable for wet locations. Do not expose to corrosive gas or liquids.
- **Ensure the installation of the power supply complies with all driver specifications.**

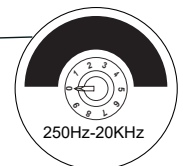
Specifications

| Model | DVMM-96W-24V-5JF |
|-------------------------------|---|
| Output Wattage (max) | 96W |
| Output Current | 4.0A |
| Output Voltage | 24 VDC |
| Input Voltage | 110–277 VAC |
| Environmental Rating | NEMA 4X, Suitable for Wet Locations, Waterproof |
| Ambient Operating Temperature | -40 to 60 °C (-40 to 140 °F) |
| Dimmable | Yes |

Features and Wiring Diagram



Fine Tune the Output Voltage
24V Output: 17–25V



Line
AC Line or Hot

Neutral
AC Neutral

Ground
AC Ground

24 V+
Positive DC output

24 V-
Negative DC output

Dim+
Positive DC Input for 0-10V, 1-10V, 10V PWM, and Potentiometer dimming

Dim-
Negative DC Input for 0-10V, 1-10V, 10V PWM, and Potentiometer dimming

Switch to different gears to choose frequency

See below:

- | | |
|-----------|------------|
| 0: 4000Hz | 5: 2000Hz |
| 1: 250Hz | 6: 3600Hz |
| 2: 400Hz | 7: 8000Hz |
| 3: 800Hz | 8: 16000Hz |
| 4: 1470Hz | 9: 20000Hz |



Rev Date: V2 03/14/2025

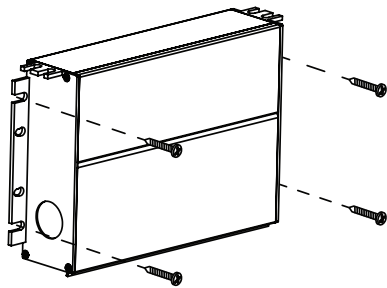
4400 Earth City Expy, St. Louis, MO 63045 • 866-201-2238 • diodedrive.com

Important: Read all instructions prior to installation.

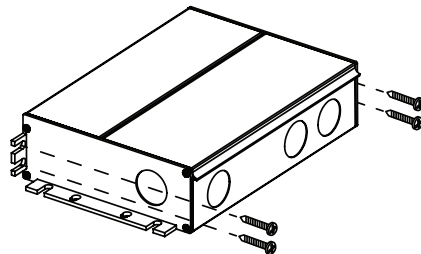
5-way Universal Dimmable Power Supply

Installation

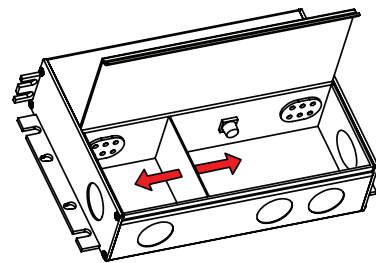
1. Ensure power is completely disconnected at the source.
2. Select an appropriate mounting location for vertical or horizontal mounting. Secure the driver to the surface or bracket using suitable fasteners.
3. Route all input wires through cable gland and input knockout. Route low-voltage output wires to the LED connections (see wiring diagram on page 1). Make all connections with suitable wire connectors.
Note: Adjust output voltage and PWM frequency to ensure compatibility with your LEDs.
4. Briefly apply power to test for proper function. Once proper operation is confirmed, disconnect power and complete installation.
5. Ensure heat dissipation is appropriately addressed within the fixture and that all wiring connections are secure and waterproof.
6. If any event occurs, such as tripping a breaker or irregular operation, disconnect the power main and the connection to the luminaire before investigating the problem. For additional support, please see contact information below.



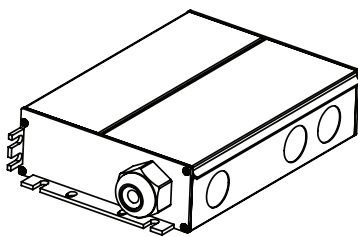
Vertical Mounting



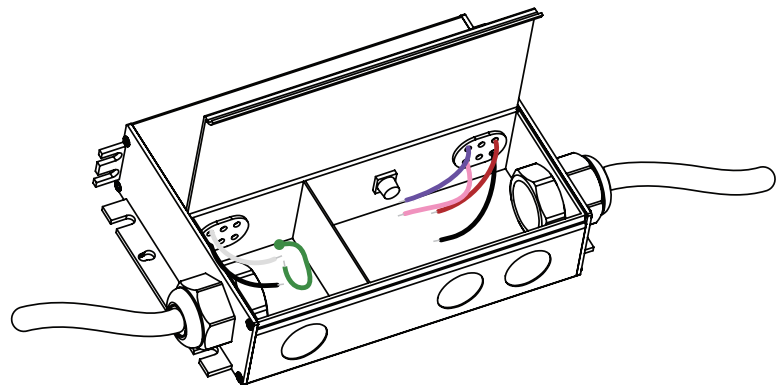
Horizontal Mounting



Open toolless snap-close junction box cover to access wiring compartments. Adjustable internal divider isolates high-voltage input wires from low-voltage output wires.



Remove the desired knockouts for both input and output. Attach appropriately sized waterproof cable gland (not included). Ensure power is disconnected at the source.



Route line voltage input wires and ground wire through cable gland and knockout. Make all wiring connections. Route low voltage product wires through cable gland and knockout. Securely connect driver wires to low voltage product matching polarity: black (V-), and red (V+). Route 0-10V/1-10V dimming wires through cable gland and knockout (if applicable). Cap dimming wires when not in use.

Important: Read all instructions prior to installation.

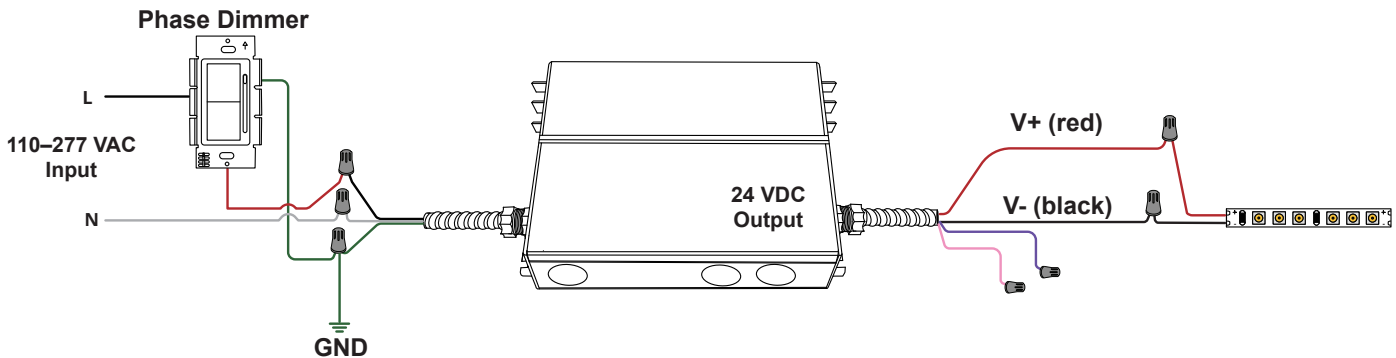
5-way Universal Dimmable Power Supply

Wiring Examples

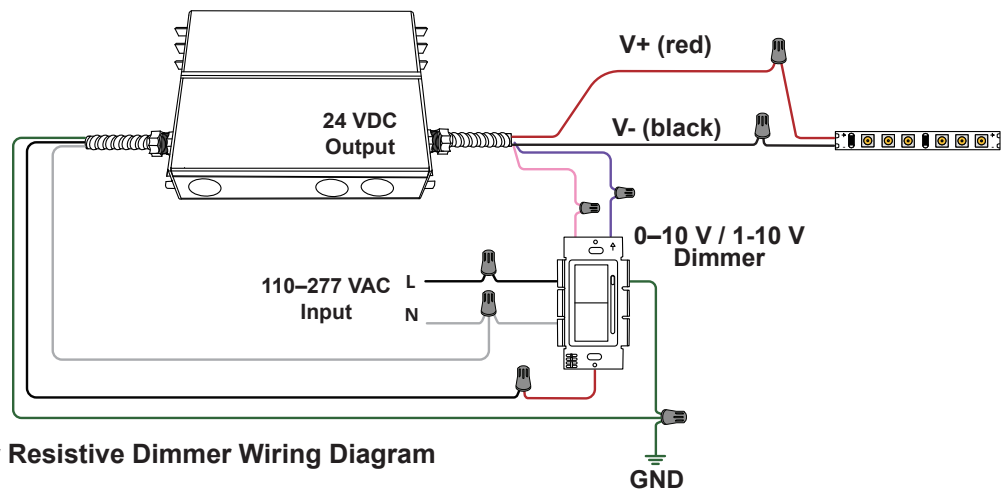
Note: 10% minimum load recommended.

TRIAC (ELV or MLV) Dimmer Wiring Diagram

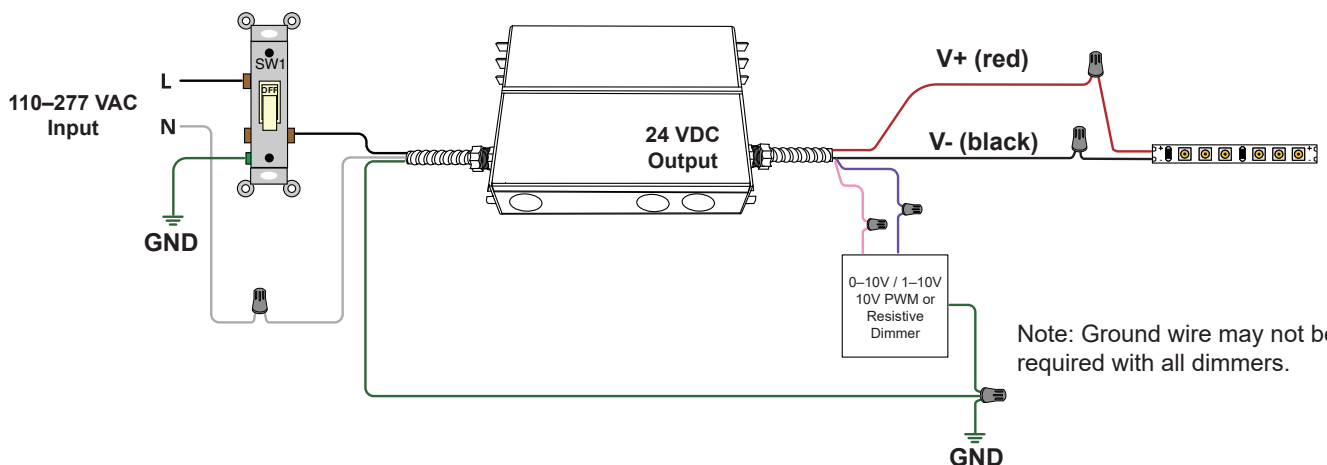
Note: Electronic Low Voltage Dimmers may require Neutral wire connection.



Electronic 0-10V / 1-10V Dimmer Wiring Diagram



0-10V / 1-10V, 10V PWM, or Resistive Dimmer Wiring Diagram



Note: Ground wire may not be required with all dimmers.