



DVF-200W-24V



Available Models¹

- DVF-100W-24V
- DVF-100W-24V(POWERCORD)
- DVF-200W-24V
- DVF-200W-24V(POWERCORD)

Part Number Breakdown

Example: DVF-100W-24V(POWERCORD)

Series	Output Wattage	Output Voltage	Optional Accessory
DVF [DiodeDrive, Constant Voltage, Metal Enclosed]	100W [100W]	24V [24 VDC]	blank [none] or (POWERCORD) [6ft grounded power cord]
	200W [200W]		

Overview

The DiodeDrive 24V constant voltage power supply has a single output and a low-profile enclosed design. It features EMI filtration and integrated short-circuit, overload, and overvoltage protection. They use a metallic mesh frame for free air convection cooling to prevent overheating. Easily connect LED lighting systems with the multi-tap screw terminals. These versatile power supplies operate within a 100-240 VAC input range. The 200W model has a switch to set either 115 or 230 VAC input before installation. The input can be hardwired or connected using an optional grounded power cord with a 5-15P plug.

Features

- Short-circuit, overload, and overvoltage protection
- Mesh frame allows free air convection cooling
- High efficiency, high reliability
- Built-in EMI filtration

Product Details

- Screw terminal block connections
- Power ON LED indicator
- Durable metal housing
- Non-dimmable
- 100-240 VAC

Certifications and Compliances

- UL Recognized - UL 8750 (FKSZ)
- CE and FCC compliant

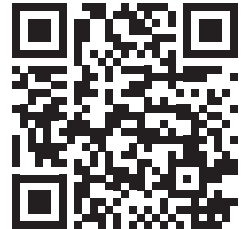


Applications

- Electronic Instruments
- Home Interiors
- Industrial Control Systems
- Mechanical Equipment
- Security Systems
- Sign Lighting
- Stage & Theaters
- Trade Shows
- Video Wall Displays

Warranty

- 5-year warranty





DVF Series

Metal Enclosed Constant Voltage Driver Specifications

Specifications

Model		DVF-100W-24V	DVF-200W-24V
OUTPUT			
Output Power		100W	200W
Output Voltage ($\pm 1V$)		24 VDC	24 VDC
Output Current (max.)		4.2A	8.3A
Efficiency (25°C, 230 VAC)		$\geq 87\%$	$\geq 88\%$
Line Regulation		$\pm 0.5\%$	$\pm 0.5\%$
Load Regulation		$\pm 0.5\%$	$\pm 0.5\%$
Voltage Regulation Accuracy		$\pm 1\%$	$\pm 1\%$
Output Ripple and Noise (p-p)		$\leq 150mV$	$\leq 150mV$
Dynamic Response	Overshoot	5	5
	25-50% and 50-75% load dynamics, half-wave period of 4mS, current change slope of 0.1A/ μ S		
	Recovery Time (μ S)	400	400
Power-on/off Overshoot Amplitude		$\leq \pm 10\%$	$\leq \pm 5\%$
Power-on Output Delay (ss)		≤ 3	≤ 3
INPUT			
Input Voltage		100-240 VAC (200W model is 100-120VAC/200-240VAC switch selectable)	
Input Frequency		50/60Hz	
Input Current (max)	100 VAC @ full load	2A	5A
Inrush Current	230 VAC, (25°C cold start)	60A	60A
Standby Power Consumption		$\leq 0.5W$	$\leq 4W$
PROTECTIONS			
Overload	5-7A		10-15A
	Hiccup mode, automatically resets after fault condition is eliminated		
Overvoltage	27-30V		27-33V
	Voltage limiting, automatically resumes after restart		
Output Short Circuit		Power supply protection after output terminal short circuit, automatically resumes after short circuit removed	





DVF Series

Metal Enclosed Constant Voltage Driver Specifications

Specifications

ENVIRONMENTAL		
Storage Temperature		-30 to 80°C (-22 to 176°F)
Ambient Operating Temperature		-30 to 70°C (-22 to 158°F)
Working Humidity		20-95% RH, non-condensing
Environmental Rating		Suitable for Dry Locations, Non-weatherproof
Altitude		0-5000m
		Ambient temperature range decreases by 0.6°C for every 100m above 2000m
Atmospheric Pressure		70-106Kpa
Cooling Method		Natural Convection
SAFETY and EMC		
Dielectric Strength	I/P-O/P	3000VAC/10mA/1min
	I/P-GND	1800VAC/10mA/1min
	O/P-GND	500VAC/10mA/1min
Insulation Resistance	I/P-O/P	≥10MΩ@ 500VDC (Under normal atmospheric pressure, relative humidity of 90%)
	I/P-GND	
	O/P-GND	
Standards		UL8750, CE
EMC Emission		Compliance to FCC Part 15
MECHANICAL		
MTBF		≥100000 hours (25°C, rated input, full load) [MIL-HDBK-217F]
Connection Type		Screw Terminal
Housing Material		Metal

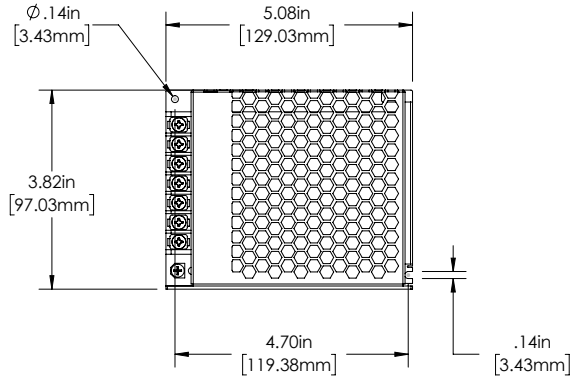


DVF Series

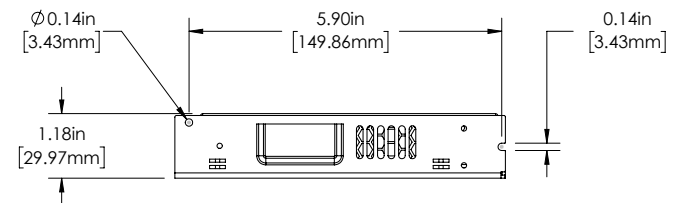
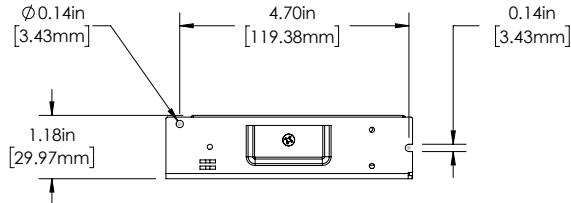
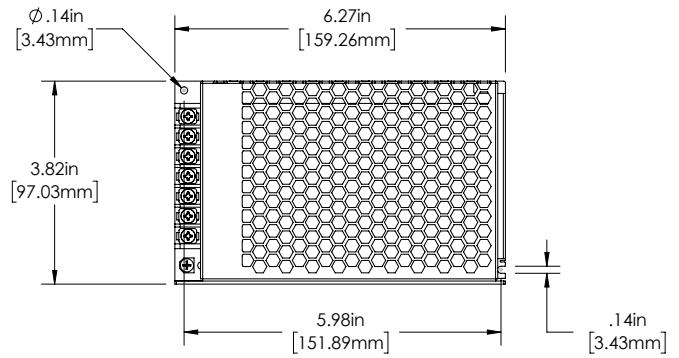
Metal Enclosed Constant Voltage Driver Specifications

Dimensional Drawings

DVF-100W-24V



DVF-200W-24V



POWERCORD

