

**Available Models<sup>1</sup>**

- LVC-40V24-3A

**Part Number Breakdown**

Example: LVC-40V24-3A

Series	Max Input Voltage	Max Output Voltage	Max. Output Current
<b>LVC</b> [Low-Voltage Converter]	<b>40V</b> [40 VDC]	<b>24</b> [24 VDC]	<b>3A</b> [3 amps]

**Overview**

This DC-to-DC voltage converter allows you to use lights ranging from 5-24 volts with your vehicle's 12V, 24V, or 36 VDC system (8-40V). The waterproof converter has a 3A (15W) rating and an adjustable output voltage. It has durable die-cast aluminum housing with 5" wire leads and tabs on both ends for easy mounting. Use this power reducer for commercial, industrial, or military vehicles, forklifts, tow tractors, and golf carts.

**Features**

- Steps down converter: 8-40V to 5-24V
- Rated output: 3A (15W)
- Potentiometer adjustable output voltage
- Waterproof aluminum housing with mounting tabs

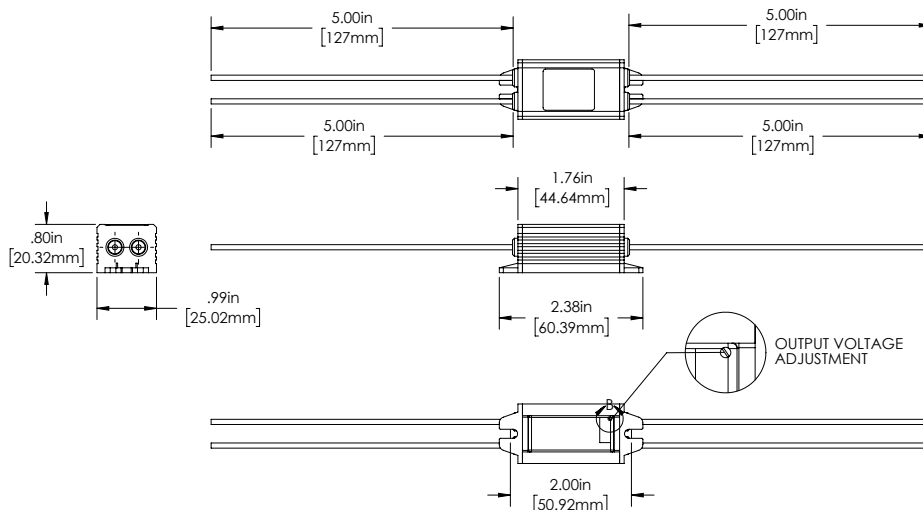
**Applications**

- Forklifts
- Golf Carts

**Warranty**

- 2-year warranty

**Dimensional Drawings**



## LVC Series

### DC/DC Voltage Converter Specifications

#### Specifications

Model	LVC-40V24-3A
<b>OUTPUT</b>	
Output Voltage	5-24 VDC
Output Power (max)	15W
Output Current (max)	3A
Dimming Control	Non-Dimmable
<b>INPUT</b>	
Input Voltage	8-40 VDC
Efficiency (TYP)	>90%
Leakage Current (max)	10mA
<b>PROTECTIONS</b>	
Type	Overcurrent, Overvoltage, Short Circuit
<b>ENVIRONMENTAL</b>	
IP Rating	IP67
Environmental Rating	Waterproof
Operating Temperature <sup>2</sup>	-40 to 80°C (-40 to 176°F)
<b>MECHANICAL</b>	
Connection Type	14AWG Pigtail (I/O)
Housing Material	Die-cast aluminum
Cooling Type	Free air convection
Rectification	Active rectification

<sup>2</sup>If ambient temperature exceeds 40°C reduce power use or improve heat dissipation.

