



**DCM-64W-WS33**



### Available Models<sup>1</sup>

- DCM-64W-WS33
- DCM-80W-WS43

### Part Number Breakdown

Example: DCM-80W-WS43

Series	Max Power	Input	Output Current	Dimming
<b>DCM</b> [DiodeDrive, Constant Current, Metal]	<b>64W</b> [64 watts]	<b>W</b> [Wide, 100-347 VAC]	<b>S3</b> [3 Selections]	<b>3</b> [3-in-1 Dimming]
	<b>80W</b> [80 watts]		<b>S4</b> [4 Selections]	

### Overview

The DiodeDrive Constant Current Power Supply has multiple output current options and 3-in-1 dimming capabilities for maximum versatility. It is adaptable to various lighting setups by using the DIP switches on the driver to select from multiple output current options. The 64W model offers 1400, 1500, and 1600mA outputs, while the 80W model provides 1700, 1800, 1900, and 2000mA. This power supply offers dimming from 5-100% using either 0-10V, PWM, or resistance (potentiometer) to ensure precise brightness control. It includes short circuit and overload protections for dependable performance. It is suitable for damp locations and ideal for home interiors, light bars, sign lighting, and strip lights.

### Features

- Selectable output current
- 3-in-1 dimming
- Protection from short circuit and overload
- Screw terminals for secure electrical connections

### Product Details

- Output voltage: 27-40 VDC (64W), 20-40 VDC (80W)
- Max output current: 1600mA (64W), 2000mA (80W)
- Suitable for damp locations
- Durable steel housing
- 100-347 VAC input

### Certifications and Compliances

- UL Listed - UL 8750, UL 1310
- CE and FCC Compliant



### Applications

- Home Interiors
- Industrial Automation
- Light Bars
- Sign Lighting
- Stage & Theaters
- Strip Lights
- Trade Shows
- Under-Cabinets

### Warranty

- 5-year warranty





# DCM Power Supplies

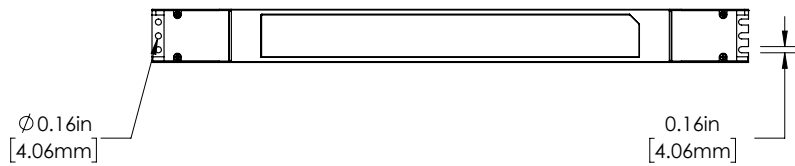
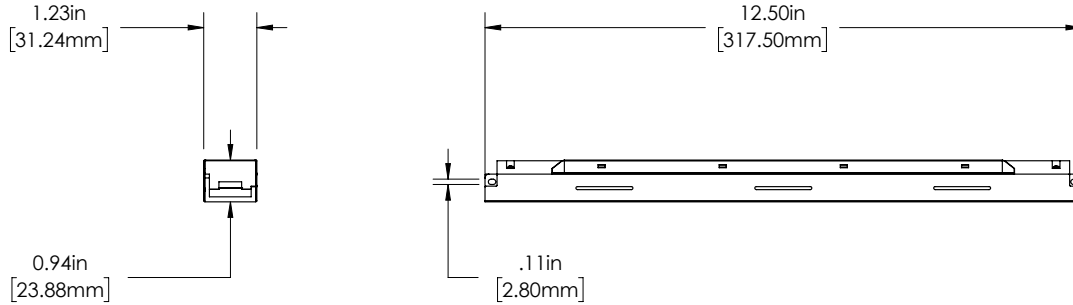
Selectable Constant Current Driver Specifications

SPECIFICATIONS		
Model	DCM-64W-WS33	DCM-80W-WS43
<b>ELECTRICAL</b>		
Output Power	56W, 60W, 64W	68W, 72W, 76W, 80W
Output Current	1400, 1500, 1600mA	1700, 1800, 1900, 2000mA
Output Voltage Range	27-40 VDC	20-40 VDC
Input Current (max)	800mA	1A
Input Voltage	100-347 VAC	
Input Frequency	50-60Hz	
Efficiency	≥87% @ 347 VAC, full load	
Power Factor	≥0.9 @ 347 VAC, full load	
Dimming	0-10V, PWM, and Resistance (Potentiometer)	
Protections	Short Circuit and Overload	
Floating Ground	No	
<b>MECHANICAL</b>		
I/O Connection Type	Terminal Block	
Number of Outputs	1	
Housing Material	Steel	
<b>ENVIRONMENTAL</b>		
IP Rating	IP20	
Environmental Rating	Non-weatherproof, Suitable for Damp Locations	
Ambient Operating Temperature	-20 to 60°C (-4 to 140°F)	



### Dimensional Drawings

#### DCM-64W-WS33



#### DCM-80W-WS43

